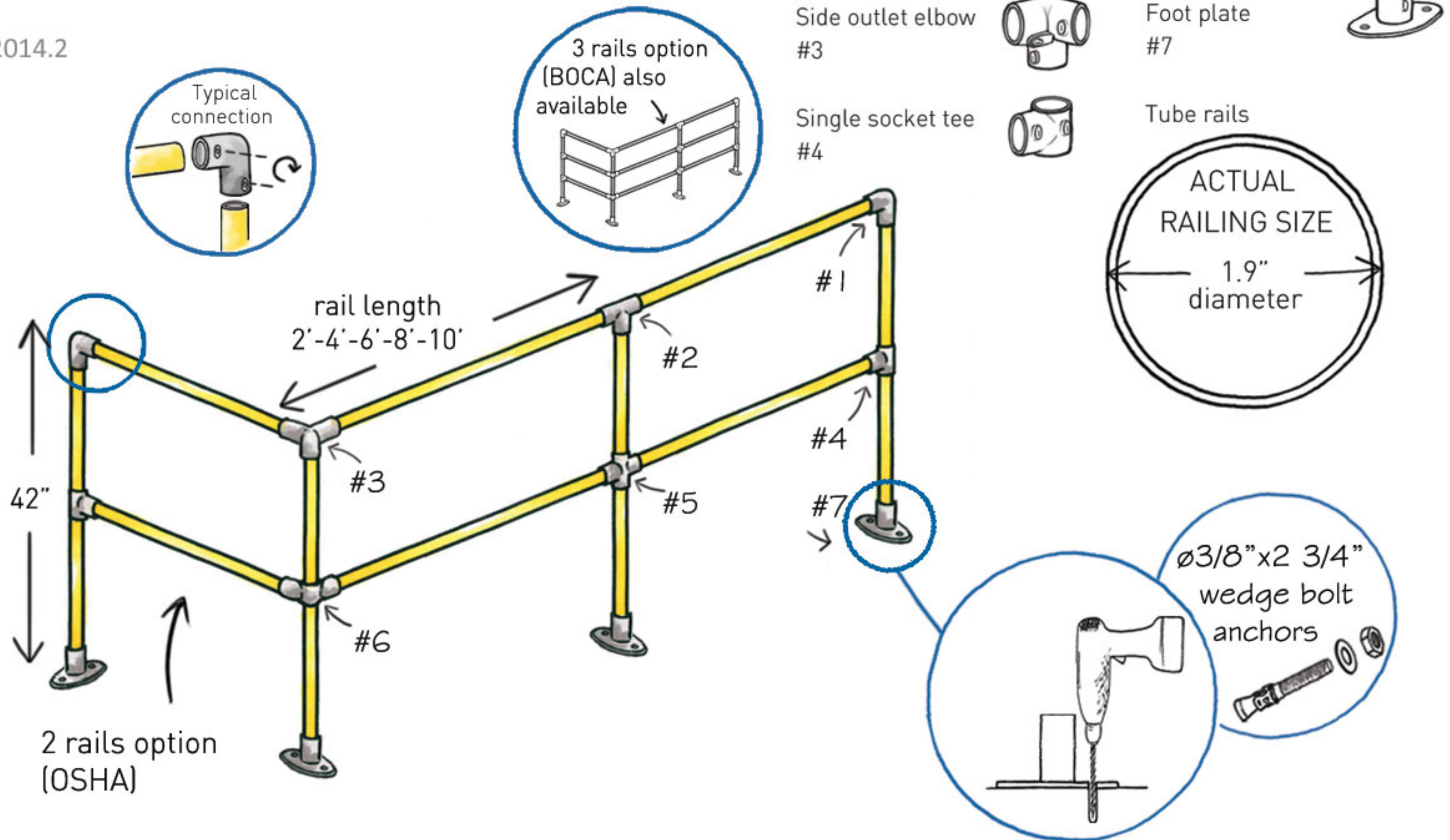


# INSTALLATION MANUAL

For the most current release of this manual, please visit our website at [cogan.com](http://cogan.com)

V.2014.2



90° elbow #1



Two socket cross #5



Three socket tee #2



90° side outlet tee #6



Side outlet elbow #3



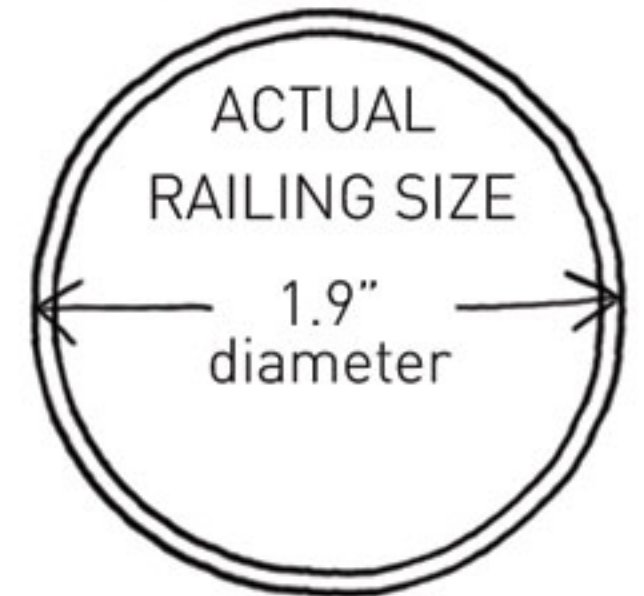
Foot plate #7



Single socket tee #4



Tube rails



Begin installation by anchoring the foot plates on the floor. Cogan recommends to always install on a concrete surface. Refer to installation drawings for the layout.

Slide the railing and assemble with the fittings. Tighten screws to secure rails in each fitting. Rail can also be cut on site for adjustment.

To install wedge anchors, hammer drill a hole with the same nominal diameter and at least as deep as the length of the anchor. Clean holes using blow out bulb. Then drive Hilti bolt and tighten to the recommended torque value. Use these anchors in concrete only.

<b>Product</b>	Guardrail
<b>Sub-product</b>	Pedestrian barrier

- 42" high standard top rail height.
- Easy fitting and rail assembly using 1 tool only.

\*\*\* Please note that this product is for pedestrian traffic control only. It has not been rated for lateral load capacity and should never be used as fall protection or as a crash barrier. All Pedestrian Barriers must be installed on ground level only and can never be used as mezzanine handrail.



A Tradition of Quality Since 1901

[cogan.com](http://cogan.com)